

CORPORATE PRESENTATION





HAPPY DRILLING FOREVER WITH PRD RIGS——

LEGACY OF THE COMPANY_____



1972

Our Foundation was built by our chairman Mr.T.P.Thangaraj when he started his venture into overhauling and working on exclusive for the Ashok Leyland axel with humble being of Paranthaman Engineering Works in 1972.



1999

Paranthaman Exporters inception of PRD Rigs in the Global Frontier at its peak of pan India sales. The expansion was led by (The Managing Director) Mr.T.T.Paranthaman. PRD Group Of Companies with its first global supply of the PRD double super model Rig to Kenya in the year 1999.



1989

Paranthaman Rock Drills has been established under the lead of our Founder himself. It was pioneering the drilling industry with its trail and tested Pneumatic Drilling Rigs.These drills was the occurrence that created a shift in the local drilling community of India.



2008

PRD Rigs Exports its 100th Rig. After PRD Rigs first supply to Kenya, PRD Rigs experienced exponential growth due to its superior quality of drilling rigs and its dedicated aftersales services and within 9 years, PRD has already exported to 13+ countries and over 100 Units.

1992

Paranthaman Hydraulic and Equipment was the emergence of the next era of the PRD Group Of Companies this company was established by Mr.T.T.Paranthaman son of Mr.T.P.Thangaraj. The team of these two were able to cover and distribute their product range and superior quality which portrait an advanced technology in the hydraulic drilling rigs sector Paranthaman Hydraulic and Equipment have thus started its lead in the Indian Drilling Industry.



2017

PRD Rigs with its growth and expansion of PRD overseas branches in the later years. PRD reaches a milestone of 500+ Rigs exported in 2017 which also created a total market share of 75% of PRD Drilling Rigs in Africa. At current PRD has 8 overseas branches globally and still expanding.

BRINGING YOU 50 YEARS OF DRILLING PASSION _____



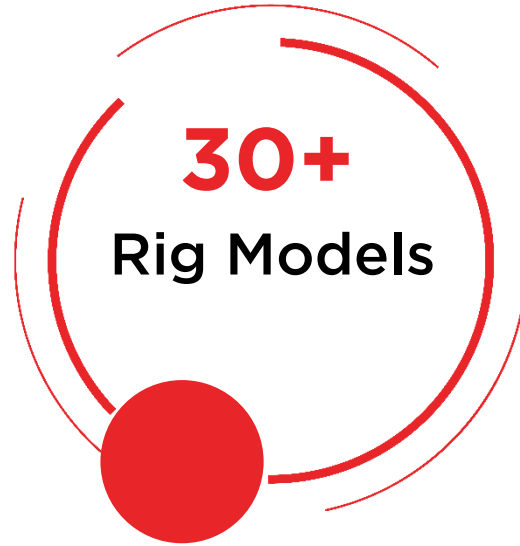
1972



2022

“A journey of a thousand miles begins with a single step”

HIGHLIGHTS



GOOD TO DRILL

AWARDS & RECOGNITION



16+ Star performer Award since 2005



QUALITY MANAGEMENT SYSTEM



Vision

Being the first choice of drillers, who use world class products with sustainable energy and future technology, delivering economic and user friendly safe drilling solution which help in enriching the life's of people, environment and universal progress.

Mission

PRD RIGS aims to be meaningful global player in providing drilling equipment's & effective drilling solutions.



CORE VALUES



- Collaboration
- Innovation
- Quality
- Delivery
- Leadership
- Integrity
- Cost advisability



GOOD TO DRILL

CORPORATE MEMBERSHIP



- Australian Drilling Industry Association
- Engineering Export Promotion Council
- Federation of Indian Export Organization
- Indo American Chamber of Commerce
- Indo African Chamber of Commerce
- Indo Arab Chamber of Commerce
- Indo Australian Chamber of commerce
- Indo German Chamber of commerce
- Confederation of Indian Industry



GOOD TO DRILL

PRD GROUP OF COMPANIES



Mr.T.T.PARANTHAMAN
MANAGING DIRECTOR



Mr. T.P.THANGARAJ
FOUNDER & CHAIRMAN



**Mr. MITHUNRAJ
PARANTHAMAN**
CEO - PRD GROUP

GOOD TO DRILL

OUR MANAGEMENT TEAM



Mr.SARAN

DIRECTOR - OPERATIONS - EAST AFRICA



Mr.G.SADISHKUMAR

EXECUTIVE DIRECTOR



Mr.B.NAGARAJAN

CHIEF FINANCE CONTROLLER



Mr.ERLE

TECHNICAL HEAD



Mr.M.S.NARAYANAN

VICE PRESIDENT - AFRICA OPERATIONS



Mr.K.K.NOUSHAD

HEAD- GLOBAL MARKETING

GOOD TO DRILL

GLOBAL PRESENCE



- ▽ MANUFACTURING
- GLOBAL PRESENCE

SALES & SERVICE CENTERS

- ▽ Kenya
- ▽ Tanzania
- ▽ Cameroon
- ▽ Nigeria
- ▽ Ghana
- ▽ Burkino Faso
- ▽ Mali
- ▽ Sierra Leone
- ▽ Guinea
- ▽ Sri Lanka

GOOD TO DRILL

GLOBAL SUPPORT CENTERS



PRD RIGS GHANA LTD - 2003

Incorporated in 2003. It was Our first overseas branch where we had a huge facility to repair and stock Drilling rigs components for the waterwell and Mining sectors.



PRD RIGS KENYA LTD - 2009

The branch in Kenya has strongly established its stake in drilling rigs since 2009. The team has been a pivotal part of the Kenyan economy as the company has expanded to employ 50+ people and support various counties and organizations in the country in their quest for the groundwater resource.

GOOD TO DRILL

GLOBAL SUPPORT CENTERS



PRD RIGS MALI SARL - 2015

Mali is one of the most prominent markets in the west African region given the size and population of the country. PRD rigs Mali was established in 2015 to service the heavy drilling market for water well and mineral exploration making a change in the way people think of rigs.



PRD RIGS TANZANIA LTD - 2016

PRD RIGS Tanzania incorporated in the 2016 as a wing of PRD Kenya, has stocks of consumables and spares and technicians who are on service calls 24/7 as PRD has close to 85% market share in the country.

GOOD TO DRILL

GLOBAL SUPPORT CENTERS



PRD RIGS GUINEE SARL - 2016

PRD Rigs Guinee is our fastest growing branch which is purely focused on mining products and services. The branch incorporated in 2016 has staff who are friendly and reliable to support all your drilling rigs. The branch house 30+ members for service and sales who are poised to bring about a drilling revolution with PRD's technology and innovation



PRD RIGS BURKINA FASO SARL - 2017

PRD Rigs Burkina Faso is a state of the art sales and service Center that has the best hydraulic and compressor technician capable of servicing any brand of drill rig making it the region's No.1 service Center for Drilling rigs service.



PRD RIGS LANKA PVT LTD - 2019

Sri Lanka's first drilling rig exclusive sales and service center has left its mark on this paradise island as we take pride in supporting the big drilling community with its expert technicians and technologically. This is our youngest and best branch incorporated in 2019.

EXPORT UNIT (6000 Sq.m BUILT UP AREA)



GOOD TO DRILL

DOMESTIC UNIT



GOOD TO DRILL

MANUFACTURING FACILITY AT SEZ

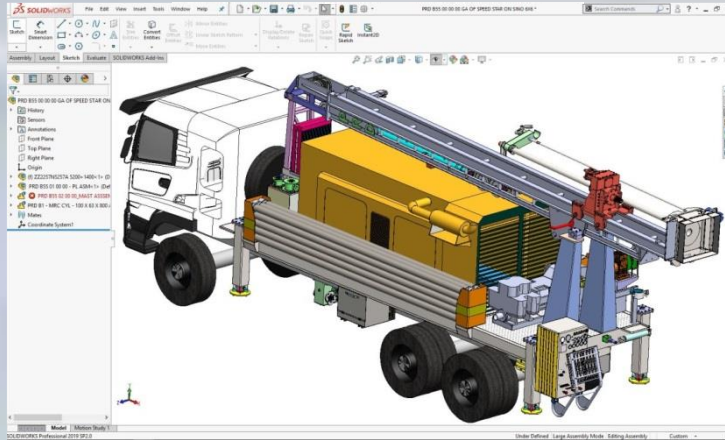


GOOD TO DRILL

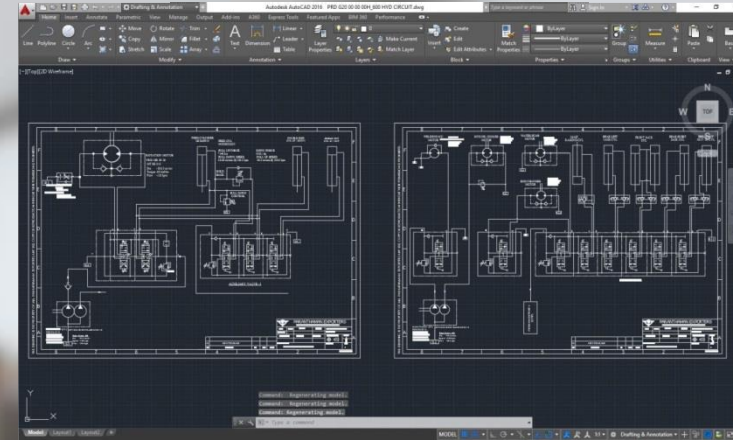
DESIGN & DEVELOPMENT



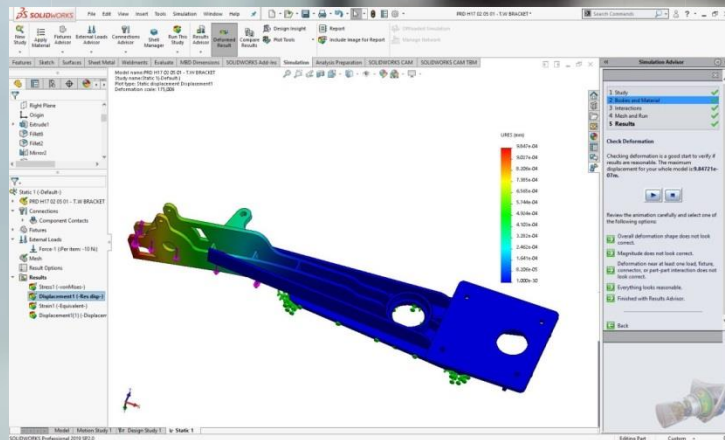
Rig Modelling



Circuit Design



Component Simulation



Design Software

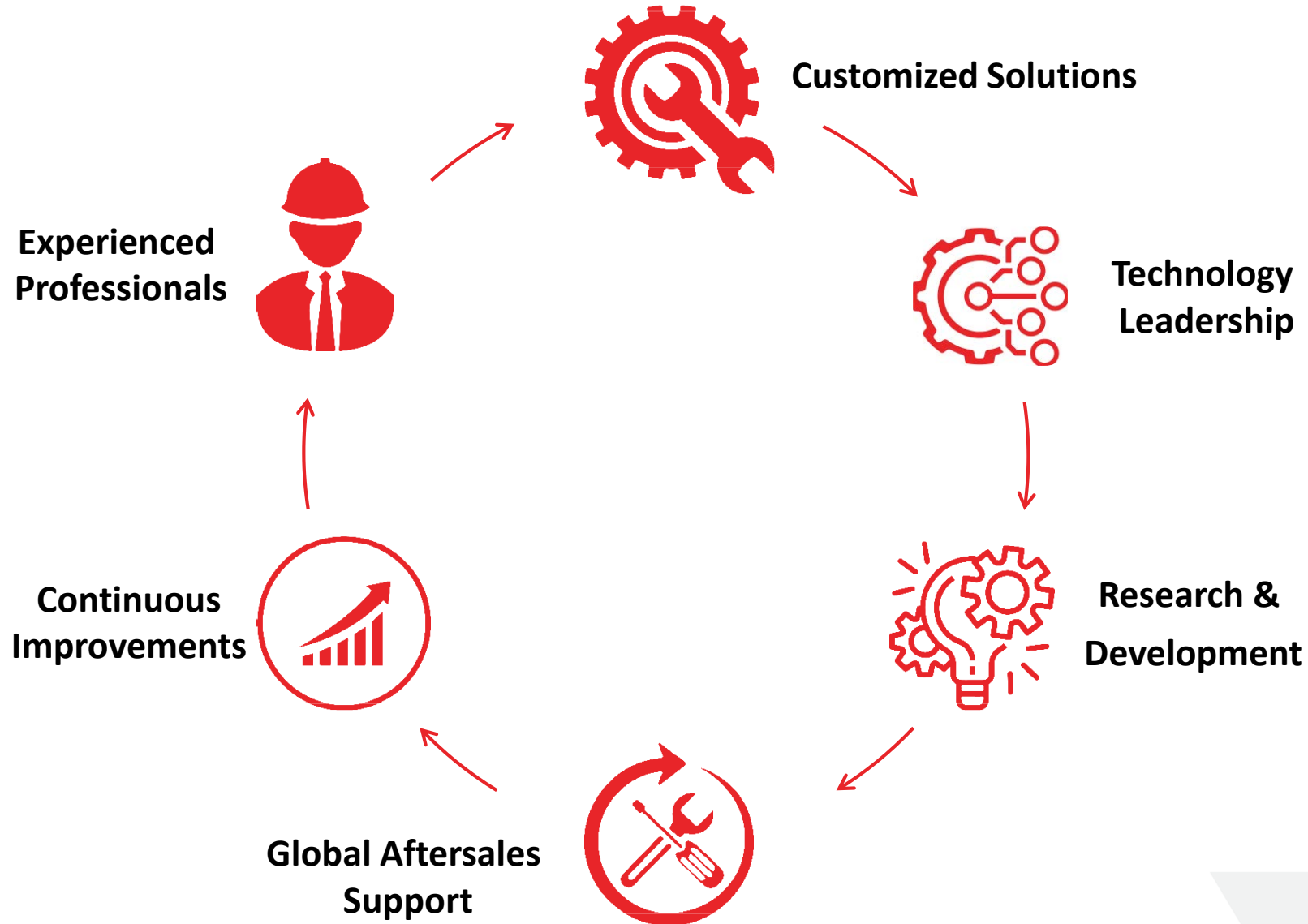
SOLIDWORKS



COLLABORATION



ENHANCED CUSTOMER CENTRIC VALUES



GOOD TO DRILL

FLEXIBLE MANUFACTURING SYSTEM (FMS)



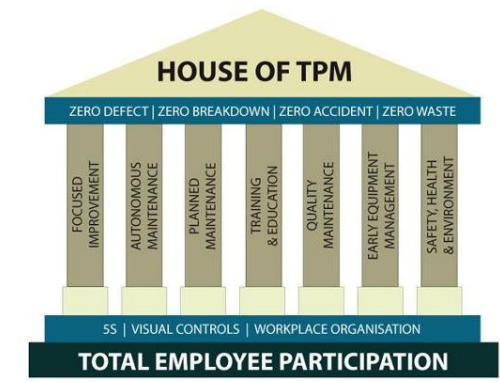
We maintain 5S



Quality Circle



Our manufacturing process follows



GOOD TO DRILL

WIDE RANGE OF APPLICATIONS _____



**WATER WELLS
& SUPPLIES**

**GEO
EXPLORATION**



**MINERALS &
METAL MINING**

**INFRASTRUCTURE
& ENERGY**



GOOD TO DRILL



LEADING THE WAY YOU DRILL

THANK YOU



**PARANTHAMAN
EXPORTERS**

GOOD TO DRILL _____

Plot No.M8, M9, SIPCOT SEZ for Engineering Products,
Perundurai - 638 052, Tamil Nadu, India.

+91 97866 88799 | marketing@prdrigs.com



www.prdrigs.com