



## Technical Specification

### PRD PC 500



PRD PC 500 crawler mounted pneumatic drilling rigs powered by air compressor. It is designed for aggregate quarry, limestone, construction and surface mining. The rig performs efficiently and compact, the power is fully utilized, low operating costs and top productivity.

Note: The images provided here are for reference only and do not depict the exact specification outlined in this document.





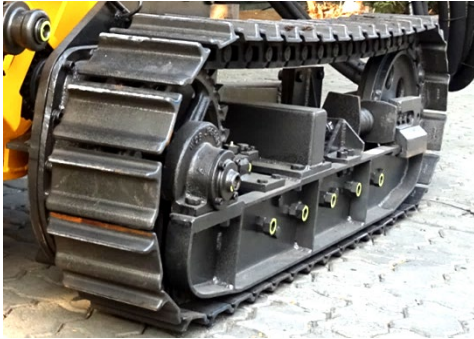
<b>Application</b>	Aggregate quarry, limestone, construction and surface mining.
<b>Capacity</b>	DTH: 102-115mm (4" - 4.5") Upto 15 m
	TOP HAMMER: 24-72mm (0.94" - 2.83") Upto 9 m
<b>Prime Mover*</b>	The PC 500 rig powered by air compressor
<b>Feed system</b>	Strong structural steel channel construction with chain drive
	Max. feed rate 0.5 m/s
	Feed force pull up : 550 kgf
	Feed force pull down : 750 kgf
	Total length : 5130 mm
	Travel length: 3565 mm
<b>Rotary Head</b>	Speed : 60 rpm
	Torque : 960 Nm
<b>carrier</b>	Tramming speed : 3.2 km/h
	Track oscilation $\pm$ 20 deg.
	Ground clearance : 230 mm 9"
	climbing ability : 30 degree
<b>Overall length</b>	Overall length 4700 mm
	Width 1750 mm
	Height 2600 mm
	Weight 2890 kg
<b>Air compressor</b>	DTH:450 - 550 cfm / 150 - 200psi
	TOP HAMMER:400-600 cfm / 100psi

*\*Combinations will vary according to our Design feasibility*





## Features



### Easy to maneuver

Pneumatic powered traction motors maneuver rough terrain with ease, operating smoothly, thanks to its two independent air motors and dynamic braking system. High ground clearance and track oscillation  $\pm 20$  deg. Power full track with high tractive force and 205 mm wider shoe width.

### Unique rotation units

The PRD PC 500 drill head with a innovative cycle and piston design has a positive effect on the drill efficiency. Quick interchangeability between the drilling methods from Down-The-Hole (DTH) to top hammer and vice versa. High power rotation gear box speed 0 - 60 rpm @ 210 kgf torque.



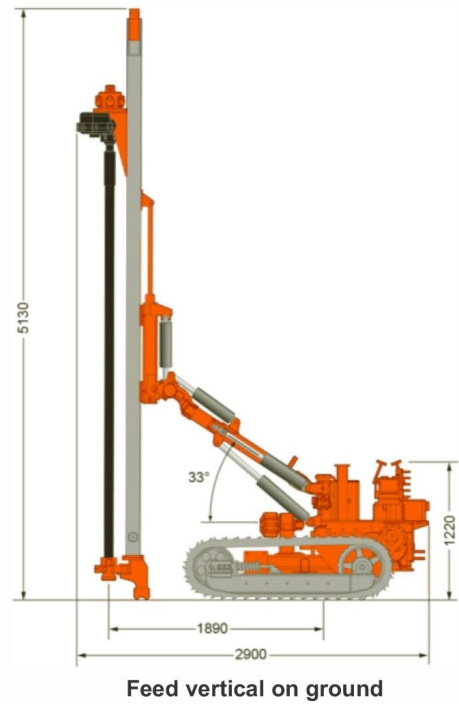
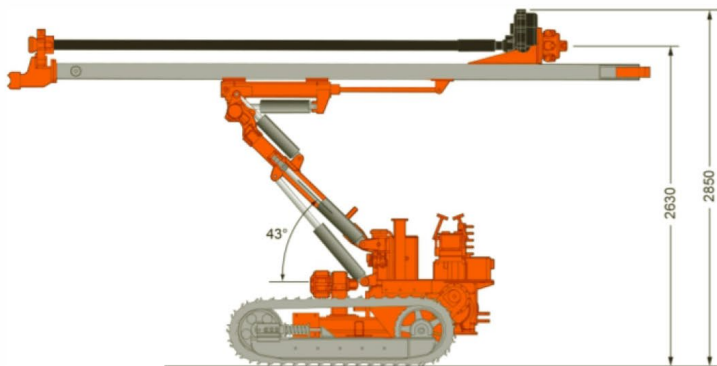
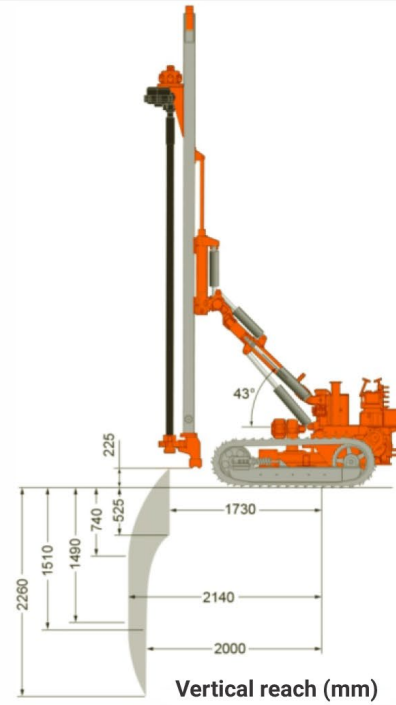
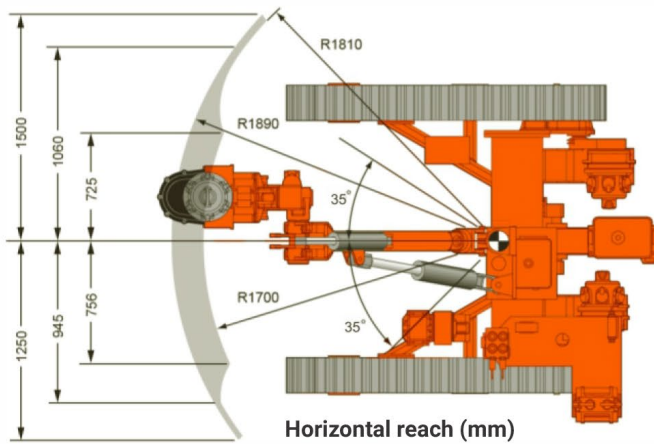
### Easy control

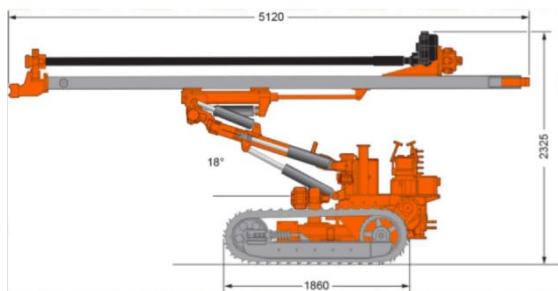
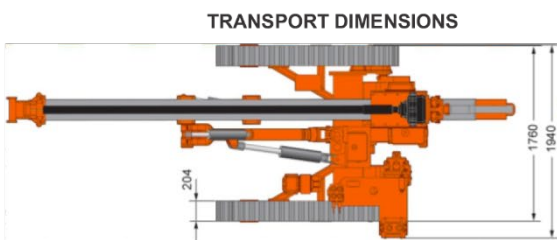
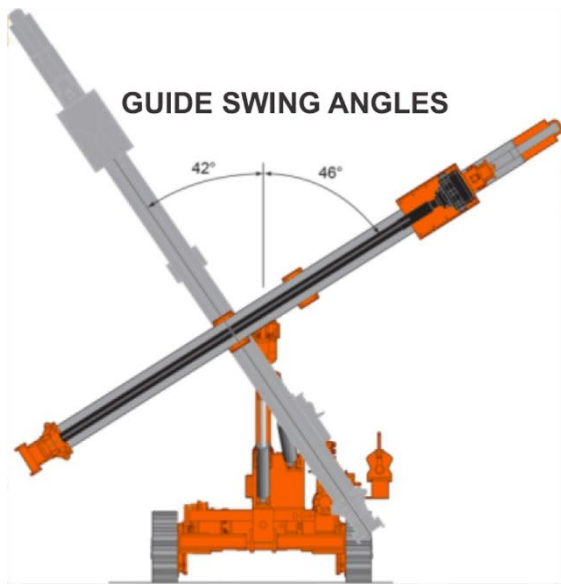
Side mounted tramming controls provide easy access. During compressor towing a safety adjustment blocks reverse motion and easy drilling operations.





## Drilling coverage area and dimension





### Key Features:

- Capable of both DTH and drifting.
- Two independent, air motor powered track assemblies on either side for reliable crawler self-propulsion.
- Powerful feed system with strong and heavy feed chain which can exert loads of up to 2200 kgf on either side.
- Wide coverage of vertical, horizontal and angle drilling positions through boom and guide setup.
- Centralized control placed on track assembly for quick and easy access.
- Heavy duty tow hitch for attaching and towing air compressor.
- Rugged construction and advanced design ensure power and reliability over long term.
- Simple and lightweight design.



### Air compressor

DTH model : 450 – 550 cfm / 150 – 200 psi  
Top Hammer model : 400 – 600 cfm / 100 psi

